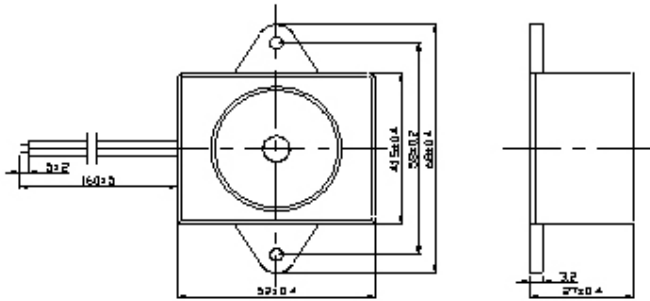


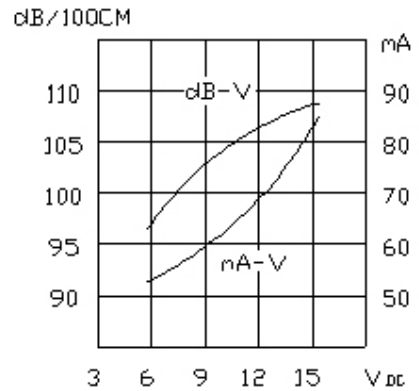
Piezoelectric/ceramic Buzzer (Active)



Mechanical Layout & Dimensions:



Typical Frequency Response Curve:



Unless otherwise specified, tolerance: ± 0.2 (unit: mm)

Electrical Specifications:

TYPE	UNIT	XCPS52A12W
◆ Min. Sound Output at 100cm	dB	103
Rated Voltage	V0-p	12
Operating Voltage	V0-p	6~15
Resonant Frequency	Hz	(2600~2800) ± 500
◆ Max. Current Consumption	mA	80
Operating Temperature	$^{\circ}\text{C}$	-20 $^{\circ}\text{C}$ ~ +60 $^{\circ}\text{C}$
Storage Temperature	$^{\circ}\text{C}$	-20 $^{\circ}\text{C}$ ~ +70 $^{\circ}\text{C}$
Weight	g	60