

Technical Information:

Wire Protected Through Hole Mounting Terminal Blocks



OVERVIEW

When it comes to choosing the right terminal block for your application, there are literally hundreds of different options to choose from and it can be an overwhelming experience. Here at Hylec, we have a team of specialists who are equipped to help you make the right decision for your application.

With samples available on request, huge stock held for next day delivery and expert technical advice, Hylec should be your one-stop-shop to get the right terminal block for your application requirements.

FEATURES

SAMPLES AVAILABLE UPON REQUEST

HUGE STOCK HELD WITH NEXT DAY DELIVERY

EXPERT TECHNICAL ADVICE

2,000+ PLUG & SOCKET VARIATIONS AVAILABLE

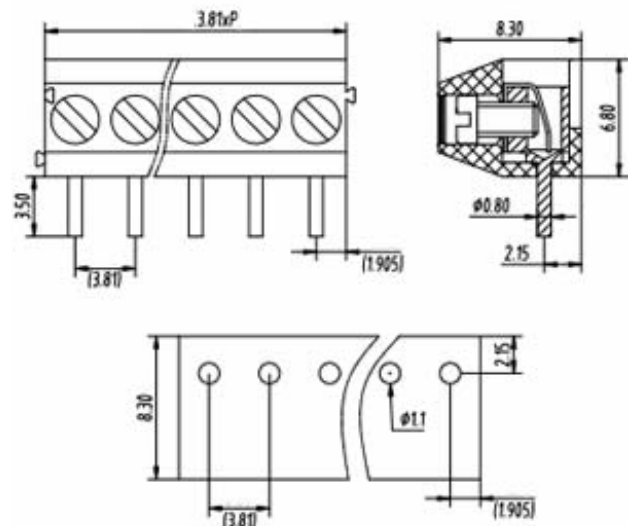
PLUGGABLE, SCREW & SPRING CONNECTIONS

HORIZONTAL, RISING CLAMP, SURFACE MOUNT (SMT), WAVE
- THROUGH HOLE & WIRE PROTECTOR MOUNTING TYPES

2-48-POLES

END STACKABLE, INTERLOCKING & SOLID BODY
NON-STACKABLE

ALL STANDARD PITCHES AVAILABLE



Plug & Socket Terminal Blocks:

Pitch (mm)	3.81
Wire Size AWG	Min: 24 / Max: 16
Wire Size (mm ²)	Min: 0.2 / Max: 1.5
PCB Hole Ø	1.1
Orientation	Horizontal
Mount Type	Wave - through hole
Screw	Cross head
Join	Interlocking
Colour	Green or black
Current	6A (UL)
Voltage	300V (UL)
Approval Bodies	UL

No of Poles	Pole Length (mm)	Product Code
2	7.62	TL100R-02PKC
3	11.43	TL100R-03PKC
4	15.24	TL100R-04PKC
5	19.05	TL100R-05PKC
6	22.86	TL100R-06PKC
7	26.67	TL100R-07PKC
8	30.48	TL100R-08PKC
9	34.29	TL100R-09PKC
10	38.1	TL100R-10PKC
11	41.91	TL100R-11PKC
12	45.72	TL100R-12PKC
13	49.53	TL100R-13PKC
14	53.34	TL100R-14PKC
15	57.15	TL100R-15PKC
16	60.96	TL100R-16PKC
17	64.77	TL100R-17PKC
18	68.58	TL100R-18PKC
19	72.39	TL100R-19PKC
20	76.20	TL100R-20PKC
21	80.01	TL100R-21PKC
22	83.82	TL100R-22PKC
23	87.63	TL100R-23PKC
24	91.44	TL100R-24PKC

Also available from Hylec-APL



PCB Plug & Socket Terminal Blocks - Females

