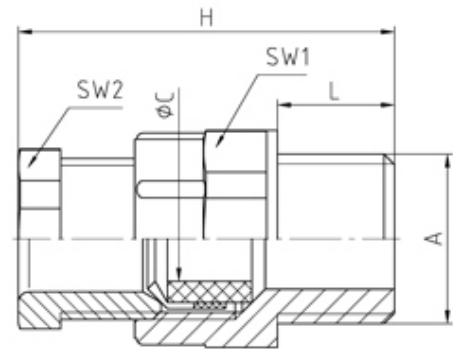


## 28.609M12PA

Krallen cable gland PA7035 M12/PG9 thread length 11 min/max cable dia 6-8 overall height 16



### SPECIFICATION

<b>Product Type</b>	Standard
<b>Sealing Ring Material</b>	SBR/NBR
<b>Body Material</b>	Polyamide
<b>Min Temperature Rating °C</b>	-30
<b>Max Temperature Rating °C</b>	100
<b>IP Rating</b>	65
<b>Colour</b>	Light Grey - RAL 7035
<b>Thread Size</b>	M12
<b>Clamping Range Min (mm)</b>	6
<b>Clamping Range Max (mm)</b>	8
<b>External Connecting Thread Type</b>	Metric
<b>Thread Length (mm)</b>	11
<b>Clamping Cage Material</b>	Polyoxymethylene POM (Hostaform C)
<b>Width Across Flat 1 (mm)</b>	19
<b>Width Across Flat 2 (mm)</b>	16
<b>Height (mm)</b>	35
<b>Connecting Thread Size</b>	M12x1.5
<b>Additional Material Detail</b>	Body - Polyamide PA6 GF30