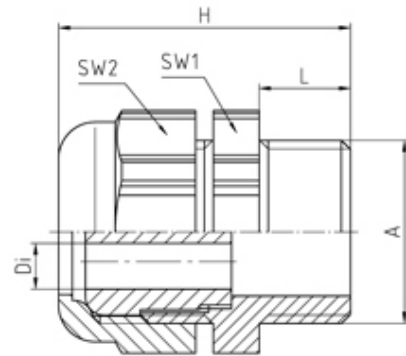


155M40UMzXz

Uni-Dicht cable gland M40 with multiple hole sealing insert, see comments



EN

SPECIFICATION

Product Type	Standard
Body Material	Polyamide
Min Temperature Rating °C	-20
Max Temperature Rating °C	100
IP Rating	68
Thread Size	M40
External Connecting Thread Type	Metric
Sealing Insert	TPE
Interior Diameter (mm)	12x5.3
Comments	please indicate required sealing insert, e.g. 150M16UM2x4
Connecting Thread Size	M40x1.5
Additional Material Detail	Body - Polyamide PA6-3
Standards	EN1859718