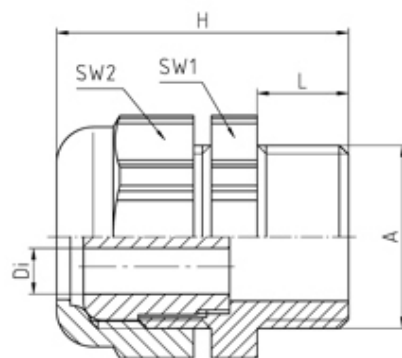


Nylon Metric Cable Glands

Range: Cable Glands/Grommets

Order Code: 154M32UMzXz



DESCRIPTION

Uni-Dicht cable gland M32 with multiple hole sealing insert, see comments

Subject to technical modification without notice.

Typographical and other errors do not justify claim for damages.

SPECIFICATION

| | |
|--|---|
| Product Type | Standard |
| Body Material | Polyamide |
| Min Temperature Rating °C | -20 |
| Max Temperature Rating °C | 100 |
| IP Rating | 68 |
| Thread Size | M32 |
| External Connecting Thread Type | Metric |
| Sealing Insert | TPE |
| Interior Diameter (mm) | 8x5 |
| Comments | please indicate required sealing insert, e.g. 150M16UM2x4 |
| Connecting Thread Size | M32x1.5 |
| Additional Material Detail | Body - Polyamide PA6-3 |
| Standards | EN1407354 |

INDUSTRY ACCREDITATIONS

EN