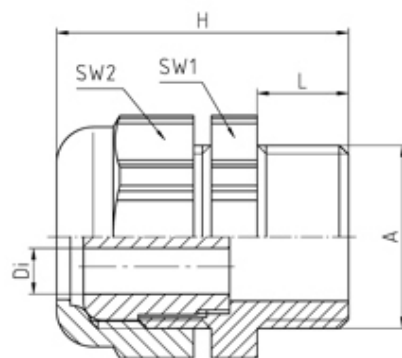


Nylon Metric Cable Glands

Range: Cable Glands/Grommets

Order Code: 152M20UMzXz



DESCRIPTION

Uni-Dicht cable gland M20 with multiple hole sealing insert, see comments

Subject to technical modification without notice.

Typographical and other errors do not justify claim for damages.

SPECIFICATION

Product Type	Standard
Body Material	Polyamide
Min Temperature Rating °C	-20
Max Temperature Rating °C	100
IP Rating	68
Thread Size	M20
External Connecting Thread Type	Metric
Sealing Insert	TPE
Interior Diameter (mm)	6x3.5
Comments	please indicate required sealing insert, e.g. 150M16UM2x4
Connecting Thread Size	M20x1.5
Additional Material Detail	Body - Polyamide PA6-3
Standards	EN502626

INDUSTRY ACCREDITATIONS

EN