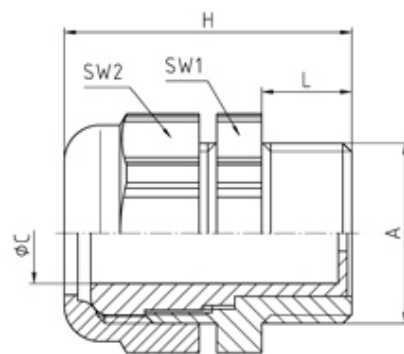


Nylon Metric Cable Glands

Range: Cable Glands/Grommets

Order Code: GCG-PMG-M32-18GL (18M321418 T)



DESCRIPTION

Uni-Dicht cable gland M32X1.5 thread length 11 min/max cable dia 14-18

Subject to technical modification without notice.

Typographical and other errors do not justify claim for damages.

SPECIFICATION

Product Type	Standard
Body Material	Polyamide
Min Temperature Rating °C	-20
Max Temperature Rating °C	120
IP Rating	68
Colour	Pebble Grey - RAL 7032
Thread Size	M32
Clamping Range Min (mm)	14
Clamping Range Max (mm)	18
External Connecting Thread Type	Metric
Thread Length (mm)	11
Sealing Insert	TPE, colour coded
Width Across Flat 1 (mm)	36
Width Across Flat 2 (mm)	33
Height (mm)	38
Connecting Thread Size	M32x1.5
Additional Material Detail	Body - Polyamide PA6-3

INDUSTRY ACCREDITATIONS

EN