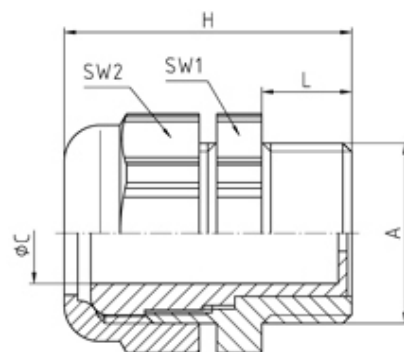




Nylon Metric Cable Glands

Range: Cable Glands/Grommets

Order Code: GCG-PMG-M25-15GL (18M251115 T)



DESCRIPTION

Uni-Dicht cable gland M25X1.5 thread length 9 min/max cable dia 11.5-15.5

Subject to technical modification without notice.

Typographical and other errors do not justify claim for damages.

SPECIFICATION

Product Type	Standard
Body Material	Polyamide
Min Temperature Rating °C	-20
Max Temperature Rating °C	120
IP Rating	68
Colour	Pebble Grey - RAL 7032
Thread Size	M25
Clamping Range Min (mm)	11.5
Clamping Range Max (mm)	15.5
External Connecting Thread Type	Metric
Thread Length (mm)	9
Sealing Insert	TPE, colour coded
Width Across Flat 1 (mm)	30
Width Across Flat 2 (mm)	27
Height (mm)	32
Connecting Thread Size	M25x1.5
Additional Material Detail	Body - Polyamide PA6-3

INDUSTRY ACCREDITATIONS

EN