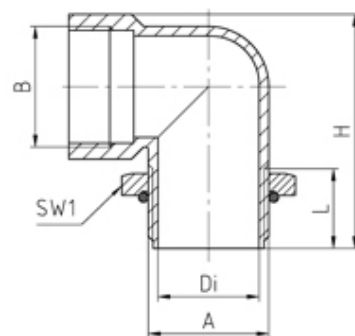


Elbow Glands

Range: Cable Glands/Grommets

Order Code: 21.625M



DESCRIPTION

Elbow cable gland M25 thread length 16.5

Subject to technical modification without notice.

Typographical and other errors do not justify claim for damages.

SPECIFICATION

Product Type	Standard
Body Material	Zinc die-cast, nickel-plated
Min Temperature Rating °C	-20
Max Temperature Rating °C	100
IP Rating	max 68 dependent on the combination with other com
Hole Diameter (mm)	21
Thread Size	M25
External Connecting Thread Type	M25x1.5
Thread Length (mm)	16.5
Width Across Flat 1 (mm)	34
Height (mm)	48.5
Connecting Thread Size	M25x1.5
Additional Material Detail	Locknut - Brass CuZn39Pb3 nickel plated, O-Ring - Nitrile rubber