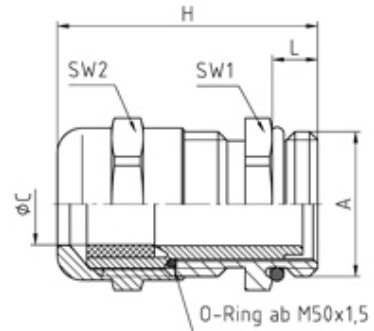


**50.650 M-L**

Perfect cable gland long thread M50X1,5 thread length 14, min/max cable dia 24-35


**EN**
**SPECIFICATION**

Product Type	Standard
Sealing Ring Material	Polychloroprene-Nitrile rubber CR/NBR
Body Material	Nickel Plated Brass
Min Temperature Rating °C	-20
Max Temperature Rating °C	100
IP Rating	68
Thread Size	M50
Clamping Range Min (mm)	24
Clamping Range Max (mm)	35
Lamellar Insert Material	Polyamide PA6 V-2
External Connecting Thread Type	Metric
Thread Length (mm)	14
Comments	details about tests - see annex
Width Across Flat 1 (mm)	55
Width Across Flat 2 (mm)	55
Height (mm)	54.5
Connecting Thread Size	M50x1.5
Additional Material Detail	Body - Brass CuZn39Pb3 nickel plated, O-Ring - Nitrile rubber
Standards	EN50262/UL514B