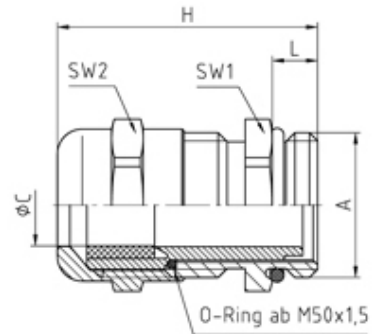


**50.650 M**

Perfect cable gland M50X1,5 thread length 9, min/max cable dia 24-35


**EN**
**SPECIFICATION**

<b>Product Type</b>	Standard
<b>Sealing Ring Material</b>	Polychloroprene-Nitrile rubber CR/NBR
<b>Body Material</b>	Nickel Plated Brass
<b>Min Temperature Rating °C</b>	-20
<b>Max Temperature Rating °C</b>	100
<b>IP Rating</b>	68
<b>Thread Size</b>	M50
<b>Clamping Range Min (mm)</b>	24
<b>Clamping Range Max (mm)</b>	35
<b>Lamellar Insert Material</b>	Polyamide PA6 V-2
<b>External Connecting Thread Type</b>	Metric
<b>Thread Length (mm)</b>	9
<b>Comments</b>	details about tests - see annex
<b>Width Across Flat 1 (mm)</b>	55
<b>Width Across Flat 2 (mm)</b>	55
<b>Height (mm)</b>	49.5
<b>Connecting Thread Size</b>	M50x1.5
<b>Additional Material Detail</b>	Body - Brass CuZn39Pb3 nickel plated, O-Ring - Nitrile rubber
<b>Standards</b>	EN50262/UL514B