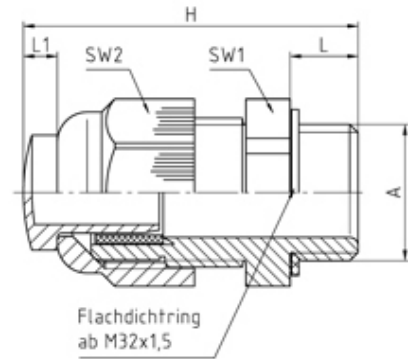


## 50.640PA/SW/V

Perfect cable gland with blanking plug PA/SW M40X1,5thread length 10



### SPECIFICATION

<b>Product Type</b>	Standard
<b>Sealing Ring Material</b>	Polychloroprene-Nitrile rubber CR/NBR
<b>Body Material</b>	Polyamide
<b>Min Temperature Rating °C</b>	-20
<b>Max Temperature Rating °C</b>	100
<b>IP Rating</b>	68
<b>Colour</b>	Black - RAL 9005
<b>Thread Size</b>	M40
<b>External Connecting Thread Type</b>	Metric
<b>Thread Length (mm)</b>	10
<b>Comments</b>	details about tests - see annex, blanking plug as single part - see under accessoires
<b>Width Across Flat 1 (mm)</b>	46
<b>Width Across Flat 2 (mm)</b>	46
<b>Height (mm)</b>	55
<b>Connecting Thread Size</b>	M40x1.5
<b>Additional Material Detail</b>	Body - Polyamide PA6 V-2, Blanking Plug Polyamide PA6 GF30
<b>Dimension Length 1</b>	4