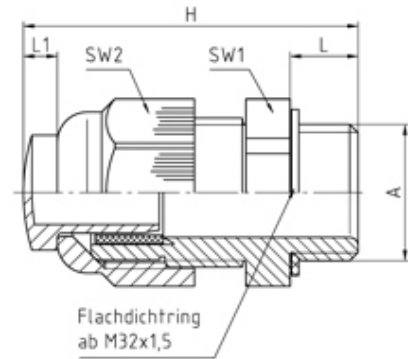


50.650 PA/V

Perfect cable gland with blanking plug PA7001 M50X1,5 thread length 12



SPECIFICATION

Product Type	Standard
Sealing Ring Material	Polychloroprene-Nitrile rubber CR/NBR
Body Material	Polyamide
Min Temperature Rating °C	-20
Max Temperature Rating °C	100
IP Rating	68
Colour	Dark Grey - RAL 7001
Thread Size	M50
External Connecting Thread Type	Metric
Thread Length (mm)	12
Comments	details about tests - see annex, blanking plug as single part - see under accessoires
Width Across Flat 1 (mm)	55
Width Across Flat 2 (mm)	55
Height (mm)	65.5
Connecting Thread Size	M50x1.5
Additional Material Detail	Body - Polyamide PA6 V-2, Blanking Plug Polyamide PA6 GF30
Dimension Length 1	4