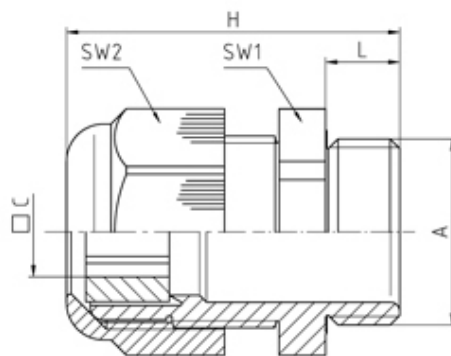


Nylon Metric Cable Glands

Range: Cable Glands/Grommets

Order Code: GCG-NMA-M25-BK (50.625PASW/AS11)



DESCRIPTION

Perfect cable gland with ASI cable sealing insert PA/SW M25X1,5 thread length 8, min/max cable dia -1xAS-i Bus cable

Subject to technical modification without notice.

Typographical and other errors do not justify claim for damages.

SPECIFICATION

Product Type	Standard
Body Material	Polyamide
Min Temperature Rating °C	-20
Max Temperature Rating °C	100
IP Rating	65
Colour	Black - RAL 9005
Thread Size	M25
Clamping Range Max (mm)	1xAS-i Bus-Leitung
External Connecting Thread Type	Metric
Thread Length (mm)	8
Sealing Insert	Evoprene TPE
Comments	sealing inserts - see WJ-DM xx/ASI/z
Width Across Flat 1 (mm)	29
Width Across Flat 2 (mm)	29
Height (mm)	43
Connecting Thread Size	M25x1.5
Additional Material Detail	Body - Polyamide PA6 V-2