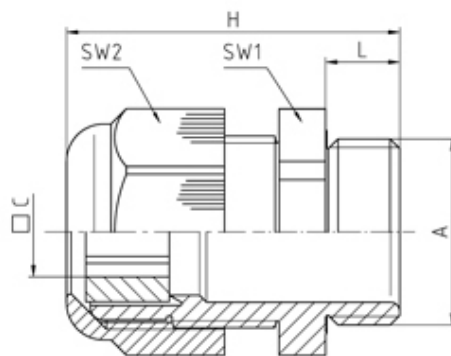


# Nylon Metric Cable Glands

Range: Cable Glands/Grommets

Order Code: 50.620PASW/ASI1



## DESCRIPTION

Perfect cable gland with ASI cable sealing insert PA/SW M20X1,5thread length 8, min/max cable dia -1xAS-i Bus cable

*Subject to technical modification without notice.*

*Typographical and other errors do not justify claim for damages.*

## SPECIFICATION

<b>Product Type</b>	Standard
<b>Body Material</b>	Polyamide
<b>Min Temperature Rating °C</b>	-20
<b>Max Temperature Rating °C</b>	100
<b>IP Rating</b>	65
<b>Colour</b>	Black - RAL 9005
<b>Thread Size</b>	M20
<b>Clamping Range Max (mm)</b>	1xAS-i Bus-Leitung
<b>External Connecting Thread Type</b>	Metric
<b>Thread Length (mm)</b>	8
<b>Sealing Insert</b>	Evoprene TPE
<b>Comments</b>	sealing inserts - see WJ-DM xx/ASI/z
<b>Width Across Flat 1 (mm)</b>	24
<b>Width Across Flat 2 (mm)</b>	24
<b>Height (mm)</b>	37
<b>Connecting Thread Size</b>	M20x1.5
<b>Additional Material Detail</b>	Body - Polyamide PA6 V-2