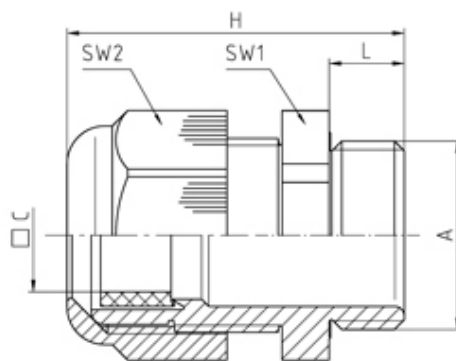


# Nylon Metric Cable Glands

## Range: Cable Glands/Grommets

Order Code: GCG-NFC-M63-GL (50.663 PA7035FK1)



### DESCRIPTION

Perfect cable gland with flat cable sealing insert PA7035 M63X1,5 thread length 12, min/max cable dia -6x32

### CABLE GLANDS/GROMMETS FEATURES

- IP66
- Temp range -20°C to +100°C
- Quick and easy installation without special tools.
- Wall thickness 1-4mm

*Subject to technical modification without notice.*

*Typographical and other errors do not justify claim for damages.*

## SPECIFICATION

<b>Product Type</b>	Standard
<b>Body Material</b>	Polyamide
<b>Min Temperature Rating °C</b>	-20
<b>Max Temperature Rating °C</b>	100
<b>IP Rating</b>	66
<b>Colour</b>	Light Grey - RAL 7035
<b>Thread Size</b>	M63
<b>Clamping Range Max (mm)</b>	6x32
<b>External Connecting Thread Type</b>	Metric
<b>Thread Length (mm)</b>	12
<b>Sealing Insert</b>	Evoprene TPE
<b>Comments</b>	sealing inserts - see WJ-DM xxFK1
<b>Width Across Flat 1 (mm)</b>	68
<b>Width Across Flat 2 (mm)</b>	68
<b>Height (mm)</b>	65.5
<b>Connecting Thread Size</b>	M63x1.5
<b>Additional Material Detail</b>	Body - Polyamide PA6 V-2