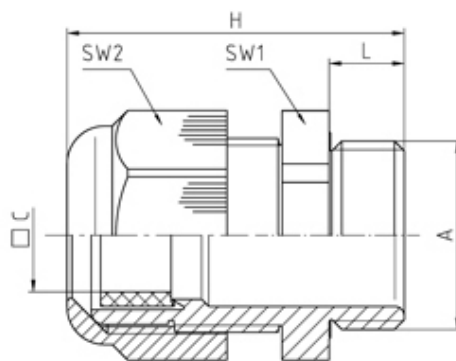


Nylon Metric Cable Glands

Range: Cable Glands/Grommets

Order Code: GCG-NFC-M50-GL (50.650 PA7035FK1)



DESCRIPTION

Perfect cable gland with flat cable sealing insert PA7035 M50X1,5 thread length 12, min/max cable dia -4x23

CABLE GLANDS/GROMMETS FEATURES

- IP66
- Temp range -20°C to +100°C
- Quick and easy installation without special tools.
- Wall thickness 1-4mm

Subject to technical modification without notice.

Typographical and other errors do not justify claim for damages.

SPECIFICATION

Product Type	Standard
Body Material	Polyamide
Min Temperature Rating °C	-20
Max Temperature Rating °C	100
IP Rating	66
Colour	Light Grey - RAL 7035
Thread Size	M50
Clamping Range Max (mm)	4x23
External Connecting Thread Type	Metric
Thread Length (mm)	12
Sealing Insert	Evoprene TPE
Comments	sealing inserts - see WJ-DM xxFK1
Width Across Flat 1 (mm)	55
Width Across Flat 2 (mm)	55
Height (mm)	61.5
Connecting Thread Size	M50x1.5
Additional Material Detail	Body - Polyamide PA6 V-2