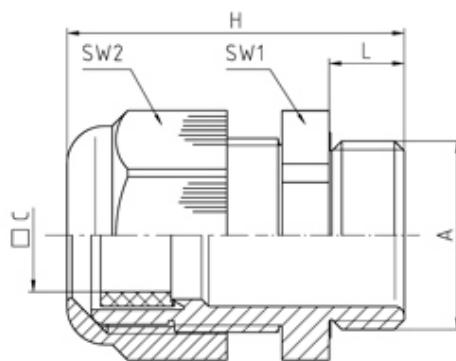


Nylon Metric Cable Glands

Range: Cable Glands/Grommets

Order Code: GCG-NFC-M40-GD (50.640 PA7001FK1)



DESCRIPTION

Perfect cable gland with flat cable sealing insert PA7001 M40X1,5 thread length 10, min/max cable dia -3x19

Subject to technical modification without notice.

Typographical and other errors do not justify claim for damages.

SPECIFICATION

| | |
|--|-----------------------------------|
| Product Type | Standard |
| Body Material | Polyamide |
| Min Temperature Rating °C | -20 |
| Max Temperature Rating °C | 100 |
| IP Rating | 66 |
| Colour | Dark Grey - RAL 7001 |
| Thread Size | M40 |
| Clamping Range Max (mm) | 3x19 |
| External Connecting Thread Type | Metric |
| Thread Length (mm) | 10 |
| Sealing Insert | Evoprene TPE |
| Comments | sealing inserts - see WJ-DM xxFK1 |
| Width Across Flat 1 (mm) | 46 |
| Width Across Flat 2 (mm) | 46 |
| Height (mm) | 51 |
| Connecting Thread Size | M40x1.5 |
| Additional Material Detail | Body - Polyamide PA6 V-2 |