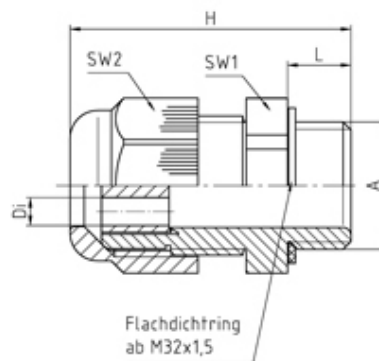


Nylon Metric Cable Glands

Range: Cable Glands/Grommets

Part Number: 50.632 PA/zXz



DESCRIPTION

Perfect cable gland PA7001 M32 with multiple hole sealing insert, see comments thread length 10

Subject to technical modification without notice.

Typographical and other errors do not justify claim for damages.

SPECIFICATION

Product Type	Standard
Body Material	Polyamide
Min Temperature Rating °C	-20
Max Temperature Rating °C	100
IP Rating	65
Colour	Dark Grey - RAL 7001
Thread Size	M32
External Connecting Thread Type	Metric
Thread Length (mm)	10
Sealing Insert	Evoprene TPE
Comments	please indicate required sealing insert, e.g. 50.612 PA/4x2 sealing inserts - see under accessories
Width Across Flat 1 (mm)	36
Width Across Flat 2 (mm)	36
Height (mm)	50
Connecting Thread Size	M32x1.5
Additional Material Detail	Body - Polyamide PA6 V-2