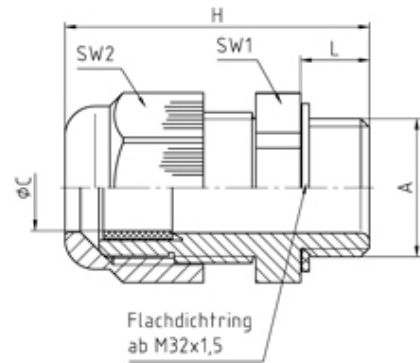


50.640 PA/FLSW

Perfect cable gland PA/SW M40X1,5 thread length 10, min/max cable dia 19-28 Body - Polyamide PA6 V-0



SPECIFICATION

Product Type	Standard
Sealing Ring Material	Polychloroprene-Nitrile rubber CR/NBR
Body Material	Polyamide
Min Temperature Rating °C	-20
Max Temperature Rating °C	100
IP Rating	68
Colour	Black - RAL 9005
Thread Size	M40
Clamping Range Min (mm)	19
Clamping Range Max (mm)	28
External Connecting Thread Type	Metric
Thread Length (mm)	10
Comments	details about tests - see annex
Width Across Flat 1 (mm)	46
Width Across Flat 2 (mm)	46
Height (mm)	51
Connecting Thread Size	M40x1.5
Additional Material Detail	Body - Polyamide PA6 V-0
Standards	UL514B