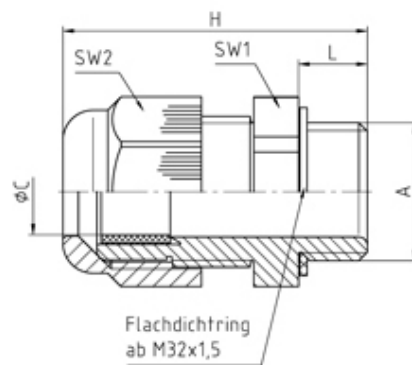


# Nylon Metric Cable Glands

## Range: Cable Glands/Grommets

Order Code: GCG-NMF-M12-BK (50.612 PA/FLSW)



### DESCRIPTION

Perfect cable gland PA/SW M12X1,5 thread length 8, min/max cable dia 3-6 Body - Polyamide PA6 V-0

*Subject to technical modification without notice.*

*Typographical and other errors do not justify claim for damages.*

## SPECIFICATION

|  |                                       |
|--|---------------------------------------|
| <b>Product Type</b>                    | Standard                              |
| <b>Sealing Ring Material</b>           | Polychloroprene-Nitrile rubber CR/NBR |
| <b>Body Material</b>                   | Polyamide                             |
| <b>Min Temperature Rating °C</b>       | -20                                   |
| <b>Max Temperature Rating °C</b>       | 100                                   |
| <b>IP Rating</b>                       | 68                                    |
| <b>Colour</b>                          | Black - RAL 9005                      |
| <b>Thread Size</b>                     | M12                                   |
| <b>Clamping Range Min (mm)</b>         | 3                                     |
| <b>Clamping Range Max (mm)</b>         | 6                                     |
| <b>External Connecting Thread Type</b> | Metric                                |
| <b>Thread Length (mm)</b>              | 8                                     |
| <b>Comments</b>                        | details about tests - see annex       |
| <b>Width Across Flat 1 (mm)</b>        | 15                                    |
| <b>Width Across Flat 2 (mm)</b>        | 15                                    |
| <b>Height (mm)</b>                     | 31                                    |
| <b>Connecting Thread Size</b>          | M12x1.5                               |
| <b>Additional Material Detail</b>      | Body - Polyamide PA6 V-0              |
| <b>Standards</b>                       | UL514B                                |

## INDUSTRY ACCREDITATIONS

