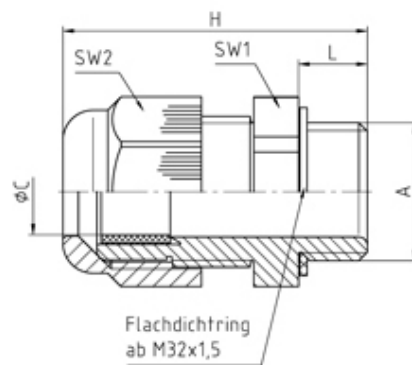


# Nylon Metric Cable Glands

## Range: Cable Glands/Grommets

Order Code: GCG-NMF-M50-GP (50.650 PA/FL)



### DESCRIPTION

Perfect cable gland PA7032 M50X1,5 thread length 12, min/max cable dia 27-35 Body - Polyamide PA6 V-0

*Subject to technical modification without notice.  
Typographical and other errors do not justify claim for damages.*

## SPECIFICATION

<b>Product Type</b>	Standard
<b>Sealing Ring Material</b>	Polychloroprene-Nitrile rubber CR/NBR
<b>Body Material</b>	Polyamide
<b>Min Temperature Rating °C</b>	-20
<b>Max Temperature Rating °C</b>	100
<b>IP Rating</b>	68
<b>Colour</b>	Pebble Grey - RAL 7032
<b>Thread Size</b>	M50
<b>Clamping Range Min (mm)</b>	27
<b>Clamping Range Max (mm)</b>	35
<b>External Connecting Thread Type</b>	Metric
<b>Thread Length (mm)</b>	12
<b>Comments</b>	details about tests - see annex
<b>Width Across Flat 1 (mm)</b>	55
<b>Width Across Flat 2 (mm)</b>	55
<b>Height (mm)</b>	61.5
<b>Connecting Thread Size</b>	M50x1.5
<b>Additional Material Detail</b>	Body - Polyamide PA6 V-0
<b>Standards</b>	UL514B

## INDUSTRY ACCREDITATIONS

