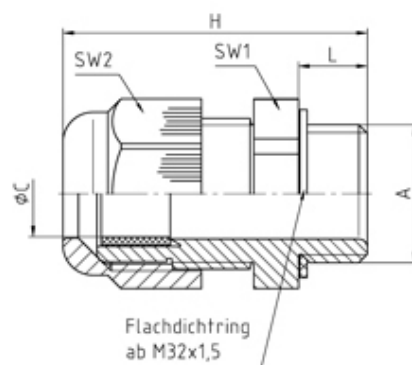


Nylon Metric Cable Glands

Range: Cable Glands/Grommets

Order Code: GCG-NMF-M12-GP (50.612 PA/FL)



DESCRIPTION

Perfect cable gland PA7032 M12X1,5 thread length 8, min/max cable dia 3-6 Body - Polyamide PA6 V-0

*Subject to technical modification without notice.
Typographical and other errors do not justify claim for damages.*

SPECIFICATION

Product Type	Standard
Sealing Ring Material	Polychloroprene-Nitrile rubber CR/NBR
Body Material	Polyamide
Min Temperature Rating °C	-20
Max Temperature Rating °C	100
IP Rating	68
Colour	Pebble Grey - RAL 7032
Thread Size	M12
Clamping Range Min (mm)	3
Clamping Range Max (mm)	6
External Connecting Thread Type	Metric
Thread Length (mm)	8
Comments	details about tests - see annex
Width Across Flat 1 (mm)	15
Width Across Flat 2 (mm)	15
Height (mm)	31
Connecting Thread Size	M12x1.5
Additional Material Detail	Body - Polyamide PA6 V-0
Standards	UL514B

INDUSTRY ACCREDITATIONS

