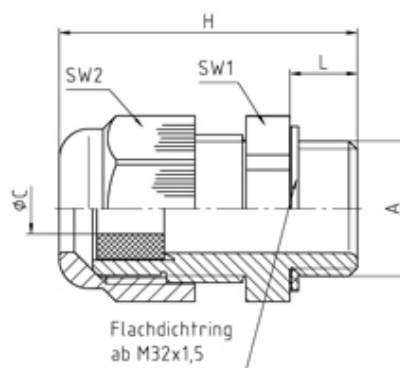


Nylon Metric Cable Glands

Range: Cable Glands/Grommets

Order Code: GCG-NCR-M40-BK (50036M40PASWR)



DESCRIPTION

Perfect cable gland PA/SW reducer M40 thread length 18, min/max cable dia 20-26 Body - Polyamide PA6 V-2

Subject to technical modification without notice.

Typographical and other errors do not justify claim for damages.

SPECIFICATION

| | |
|--|---------------------------------------|
| Product Type | Standard |
| Sealing Ring Material | Polychloroprene-Nitrile rubber CR/NBR |
| Body Material | Polyamide |
| Min Temperature Rating °C | -20 |
| Max Temperature Rating °C | 100 |
| IP Rating | 68 |
| Colour | Black - RAL 9005 |
| Thread Size | M40 |
| Clamping Range Min (mm) | 20 |
| Clamping Range Max (mm) | 26 |
| External Connecting Thread Type | Metric |
| Thread Length (mm) | 18 |
| Comments | details about tests - see annex |
| Width Across Flat 1 (mm) | 53 |
| Width Across Flat 2 (mm) | 53 |
| Height (mm) | 69 |
| Connecting Thread Size | M40x1.5 |
| Additional Material Detail | Body - Polyamide PA6 V-2 |
| Standards | EN50262/UL514B |

INDUSTRY ACCREDITATIONS

