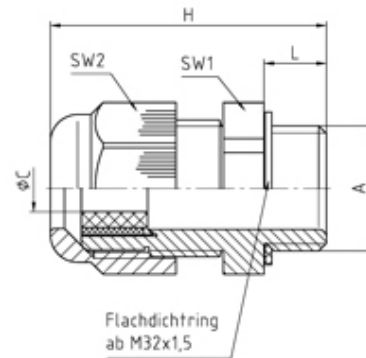


50.650 PA/RSW

Perfect cable gland PA/SW reducer M50X1,5 thread length 12, min/max cable dia 21-35 Body - Polyamide PA6 V-2



SPECIFICATION

Product Type	Standard
Body Material	Polyamide
Min Temperature Rating °C	-20
Max Temperature Rating °C	100
IP Rating	68
Colour	Black - RAL 9005
Thread Size	M50
Clamping Range Min (mm)	21
Clamping Range Max (mm)	35
External Connecting Thread Type	Metric
Thread Length (mm)	12
Sealing Ring/Inner Part	Evoprene TPE
Comments	details about tests - see annex
Width Across Flat 1 (mm)	55
Width Across Flat 2 (mm)	55
Height (mm)	61.5
Connecting Thread Size	M50x1.5
Sealing Ring/Outer Part	Polychloroprene-Nitrile rubber CR/NBR
Additional Material Detail	Body - Polyamide PA6 V-2
Standards	EN50262/UL514B