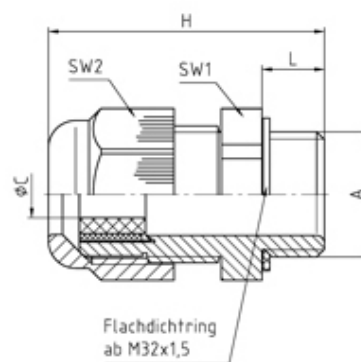


Nylon Metric Cable Glands

Range: Cable Glands/Grommets

Part Number: 50.620 PA/RSW



DESCRIPTION

Perfect cable gland PA/SW reducer M20X1,5 thread length 8, min/max cable dia 5-13 Body - Polyamide PA6 V-2

CABLE GLANDS/GROMMETS FEATURES

- IP68
- Temp range -20°C to +100°C
- Quick and easy installation without special tools.
- Wall thickness 1-4mm

Subject to technical modification without notice.

Typographical and other errors do not justify claim for damages.

SPECIFICATION

Product Type	Standard
Body Material	Polyamide
Min Temperature Rating °C	-20
Max Temperature Rating °C	100
IP Rating	68
Colour	Black - RAL 9005
Thread Size	M20
Clamping Range Min (mm)	5
Clamping Range Max (mm)	13
External Connecting Thread Type	Metric
Thread Length (mm)	8
Sealing Ring/Inner Part	Evoprene TPE
Comments	details about tests - see annex
Width Across Flat 1 (mm)	24
Width Across Flat 2 (mm)	24
Height (mm)	36
Connecting Thread Size	M20x1.5
Sealing Ring/Outer Part	Polychloroprene-Nitrile rubber CR/NBR
Additional Material Detail	Body - Polyamide PA6 V-2
Standards	EN50262/UL514B

INDUSTRY ACCREDITATIONS

