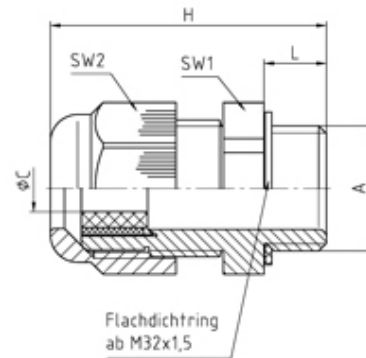


50.632 PA/R

Perfect cable gland PA7001 reducer M32X1,5 thread length 10, min/max cable dia 12-21 Body - Polyamide PA6 V-2



SPECIFICATION

| | |
|---------------------------------|---------------------------------------|
| Product Type | Standard |
| Body Material | Polyamide |
| Min Temperature °C | -20 |
| Max Temperature °C | 100 |
| IP Rating | 68 |
| Colour | Dark Grey - RAL 7001 |
| Thread Size | M32 |
| Clamping Range Min (mm) | 12 |
| Clamping Range Max (mm) | 21 |
| External Connecting Thread Type | Metric |
| Thread Length (mm) | 10 |
| Sealing Ring/Inner Part | Evoprene TPE |
| Comments | details about tests - see annex |
| Width Across Flat 1 (mm) | 36 |
| Width Across Flat 2 (mm) | 36 |
| Height (mm) | 50 |
| Connecting Thread Size | M32x1.5 |
| Sealing Ring/Outer Part | Polychloroprene-Nitrile rubber CR/NBR |
| Additional Material Detail | Body - Polyamide PA6 V-2 |
| Standards | EN50262/UL514B |