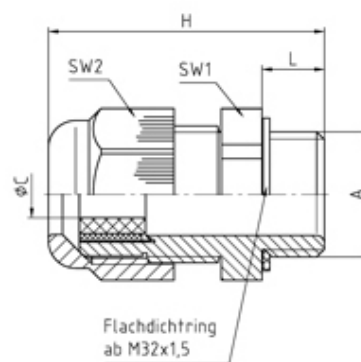


# Nylon Metric Cable Glands

## Range: Cable Glands/Grommets

Order Code: GCG-NMR-M16-GD (50.616 PA/R)



### DESCRIPTION

Perfect cable gland PA7001 reducer M16X1,5 thread length 8, min/max cable dia 3-10 Body - Polyamide PA6 V-2

### CABLE GLANDS/GROMMETS FEATURES

- IP68
- Temp range -20°C to +100°C
- Quick and easy installation without special tools.
- Wall thickness 1-4mm

*Subject to technical modification without notice.*

*Typographical and other errors do not justify claim for damages.*

## SPECIFICATION

<b>Product Type</b>	Standard
<b>Body Material</b>	Polyamide
<b>Min Temperature Rating °C</b>	-20
<b>Max Temperature Rating °C</b>	100
<b>IP Rating</b>	68
<b>Colour</b>	Dark Grey - RAL 7001
<b>Thread Size</b>	M16
<b>Clamping Range Min (mm)</b>	3
<b>Clamping Range Max (mm)</b>	10
<b>External Connecting Thread Type</b>	Metric
<b>Thread Length (mm)</b>	8
<b>Sealing Ring/Inner Part</b>	Evoprene TPE
<b>Comments</b>	details about tests - see annex
<b>Width Across Flat 1 (mm)</b>	20
<b>Width Across Flat 2 (mm)</b>	20
<b>Height (mm)</b>	35.5
<b>Connecting Thread Size</b>	M16x1.5
<b>Sealing Ring/Outer Part</b>	Polychloroprene-Nitrile rubber CR/NBR
<b>Additional Material Detail</b>	Body - Polyamide PA6 V-2
<b>Standards</b>	EN50262/UL514B

## INDUSTRY ACCREDITATIONS

