

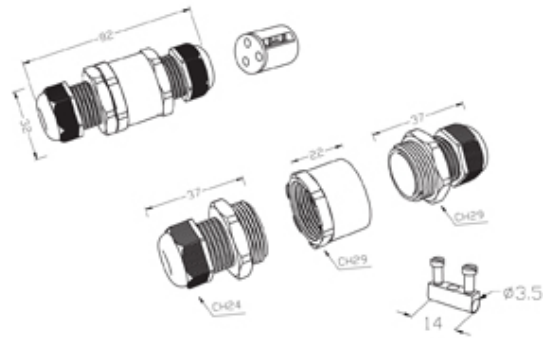
TeeTube

Range: Weatherproof/Waterproof Connectors

Order Code: THR.390.S3T



Product Image
Not Available



DESCRIPTION

TeeTube 3 Pole Screw - end barrier contact 7mm to 13.5mm, 4 mm max conductor size IP68 32A 450V 3 cable entries, retail pack

WEATHERPROOF/WATERPROOF CONNECTORS FEATURES

- Tough, robust construction with large cable range acceptance
- Straight through, T splitter and Y splitter versions available
- Dual terminal versions available for easy fitting and looping of conductors (2+2 and 3+3 poles)
- Temperature rating of -40°C to +125°C

Features may vary by product throughout the range.

Subject to technical modification without notice.

Typographical and other errors do not justify claim for damages.

SPECIFICATION

Cable Entries	3
Max Current (A)	32
Max Voltage (V)	450
Number of Poles	3
Max Conductor Size (Sq mm)	4
Minimum Cable Diameter (mm)	7
Maximum Cable Diameter (mm)	13.5
IP Rating	68
Min Temperature Rating °C	-40
Max Temperature Rating °C	125
Temperature "T" Rating	T85
Body Material	PA66 / TPE
Fixing System	Cable
Terminal Type	Screw - end barrier contact

INDUSTRY ACCREDITATIONS

