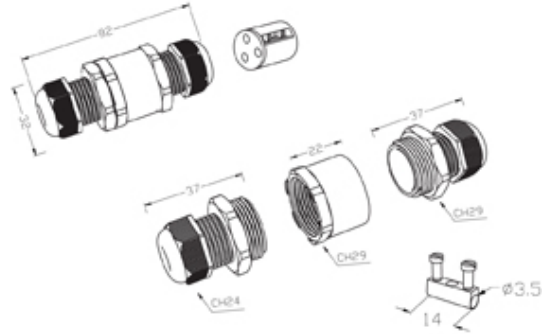


THR.390.S3L

TeeTube 3 Pole Screw - end barrier contact 7mm to13.5mm, 4 mm max conductor size IP68 32A 450V 2 cable entries, retail pack



Product Image
Not Available



SPECIFICATION

Cable Entries	2
Number of Poles	3
Terminal Type	Screw - end barrier contact
Body Material	PA66 / TPE
IP Rating	68
Max Conductor Size (Sq mm)	4
Max Current (A)	32
Max Voltage (V)	450
Min Temperature Rating °C	-40
Max Temperature Rating °C	125
Minimum Cable Diameter (mm)	7
Maximum Cable Diameter (mm)	13.5
Fixing System	Cable
Temperature "T" Rating	T85