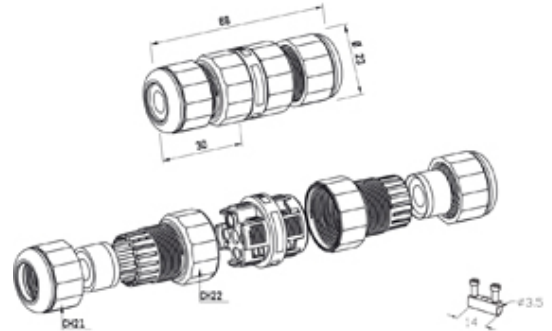


THP.391.A4A

TeeTube Mini 4 Pole Screw - piercing 7mm to 12mm, 1.5mm max conductor size IP68 17.5A 450V 2 cable entries



Product Image
Not Available



SPECIFICATION

Cable Entries	2
Number of Poles	4
Terminal Type	Screw - piercing
Body Material	PA66 / PBT / TPE
IP Rating	68
Min Conductor Size (Sq mm)	0.5
Max Conductor Size (Sq mm)	1.5
Max Current (A)	17.5
Max Voltage (V)	450
Min Temperature Rating °C	-40
Max Temperature Rating °C	125
Minimum Cable Diameter (mm)	7
Maximum Cable Diameter (mm)	12
Fixing System	Cable
Temperature "T" Rating	T125