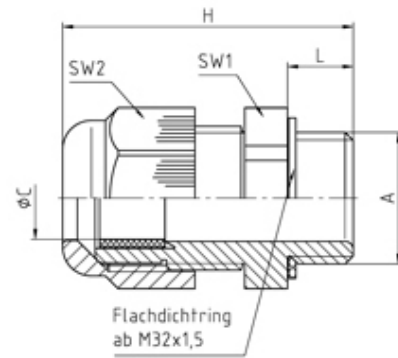


50021M25PA

Perfect cable gland PA7001 long connecting thread M25/PG21 thread length 15, min/max cable dia 13-18 Body - Polyamide PA6 V-2



SPECIFICATION

Product Type	Standard
Sealing Ring Material	Polychloroprene-Nitrile rubber CR/NBR
Body Material	Polyamide
Min Temperature °C	-20
Max Temperature °C	100
IP Rating	68
Colour	Dark Grey - RAL 7001
Thread Size	M25
Clamping Range Min (mm)	13
Clamping Range Max (mm)	18
External Connecting Thread Type	Metric
Thread Length (mm)	15
Comments	details about tests - see annex
Width Across Flat 1 (mm)	33
Width Across Flat 2 (mm)	33
Height (mm)	52
Connecting Thread Size	M25x1.5
Additional Material Detail	Body - Polyamide PA6 V-2
Standards	EN50262/UL514B