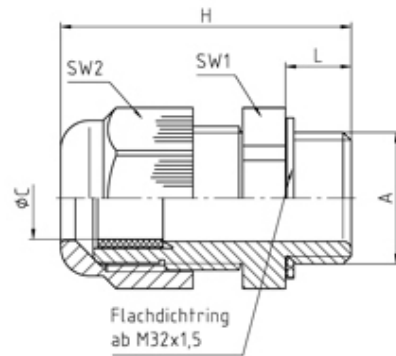


50016M20PA

Perfect cable gland PA7001 long connecting thread M20/PG16 thread length 15, min/max cable dia 10-14 Body - Polyamide PA6 V-2


SPECIFICATION

Product Type	Standard
Sealing Ring Material	Polychloroprene-Nitrile rubber CR/NBR
Body Material	Polyamide
Min Temperature Rating °C	-20
Max Temperature Rating °C	100
IP Rating	68
Colour	Dark Grey - RAL 7001
Thread Size	M20
Clamping Range Min (mm)	10
Clamping Range Max (mm)	14
External Connecting Thread Type	Metric
Thread Length (mm)	15
Comments	details about tests - see annex
Width Across Flat 1 (mm)	27
Width Across Flat 2 (mm)	27
Height (mm)	47.5
Connecting Thread Size	M20x1.5
Additional Material Detail	Body - Polyamide PA6 V-2
Standards	EN50262/UL514B