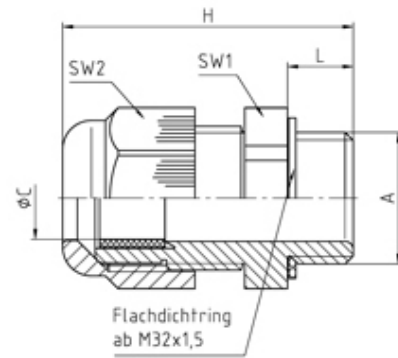


## 5029M32PA10/7035

Perfect cable gland PA7035 M32/PG29 thread length 10, min/max cable dia 18-25 Body - Polyamide PA6 V-2



### SPECIFICATION

Product Type	Standard
Sealing Ring Material	Polychloroprene-Nitrile rubber CR/NBR
Body Material	Polyamide
Min Temperature °C	-20
Max Temperature °C	100
IP Rating	68
Colour	Light Grey - RAL 7035
Thread Size	M32
Clamping Range Min (mm)	18
Clamping Range Max (mm)	25
External Connecting Thread Type	Metric
Thread Length (mm)	10
Comments	details about tests - see annex
Width Across Flat 1 (mm)	42
Width Across Flat 2 (mm)	42
Height (mm)	52.5
Connecting Thread Size	M32x1.5
Additional Material Detail	Body - Polyamide PA6 V-2
Standards	EN50262/UL514B