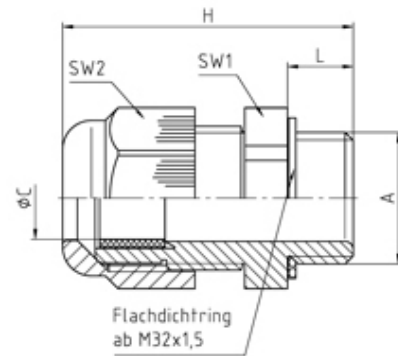


### 5011M16PA08/7035

Perfect cable gland PA7035 M16/PG11 thread length 8, min/max cable dia 5-10 Body - Polyamide PA6 V-2



#### SPECIFICATION

Product Type	Standard
Sealing Ring Material	Polychloroprene-Nitrile rubber CR/NBR
Body Material	Polyamide
Min Temperature °C	-20
Max Temperature °C	100
IP Rating	68
Colour	Light Grey - RAL 7035
Thread Size	M16
Clamping Range Min (mm)	5
Clamping Range Max (mm)	10
External Connecting Thread Type	Metric
Thread Length (mm)	8
Comments	details about tests - see annex
Width Across Flat 1 (mm)	22
Width Across Flat 2 (mm)	22
Height (mm)	37
Connecting Thread Size	M16x1.5
Additional Material Detail	Body - Polyamide PA6 V-2
Standards	EN50262/UL514B