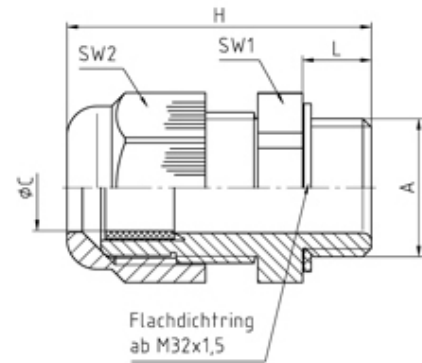


## 50.625 PA/SWL

Perfect cable gland PA/SW long thread M25X1,5 thread length 15, min/max cable dia 11-17 Body - Polyamide PA6 V-2



### SPECIFICATION

Product Type	Standard
Sealing Ring Material	Polychloroprene-Nitrile rubber CR/NBR
Body Material	Polyamide
Min Temperature °C	-20
Max Temperature °C	100
IP Rating	68
Colour	Black - RAL 9005
Thread Size	M25
Clamping Range Min (mm)	11
Clamping Range Max (mm)	17
External Connecting Thread Type	Metric
Thread Length (mm)	15
Comments	details about tests - see annex
Width Across Flat 1 (mm)	29
Width Across Flat 2 (mm)	29
Height (mm)	50
Connecting Thread Size	M25x1.5
Additional Material Detail	Body - Polyamide PA6 V-2
Standards	EN50262/UL514B