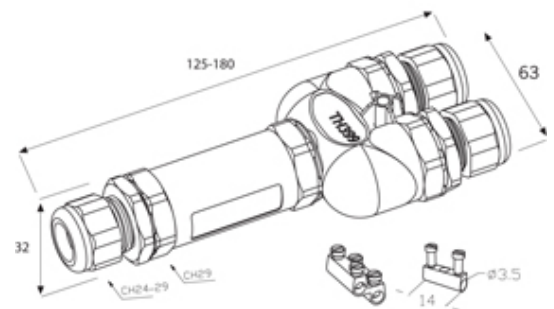


TeeTube

Range: Weatherproof/Waterproof Connectors

Part Number: THB.399.G6A.5



DESCRIPTION

TeeTube with innovative cable gland 6 Pole Screw - end barrier contact 10.5mm to 14mm on one gland 14mm to 17mm on the other 2 glands, 4 mm max conductor size IP68 32A 250V 3 cable entries

WEATHERPROOF/WATERPROOF CONNECTORS FEATURES

- Tough, robust construction with large cable range acceptance
- Straight through, T splitter and Y splitter versions available
- Dual terminal versions available for easy fitting and looping of conductors (2+2 and 3+3 poles)
- Temperature rating of -40°C to +125°C

Features may vary by product throughout the range.

Subject to technical modification without notice.

Typographical and other errors do not justify claim for damages.

SPECIFICATION

| | |
|-----------------------------|-----------------------------|
| Cable Entries | 3 |
| Max Current (A) | 32 |
| Max Voltage (V) | 250 |
| Number of Poles | 6 |
| Max Conductor Size (Sq mm) | 4 |
| Minimum Cable Diameter (mm) | 10.5 |
| Maximum Cable Diameter (mm) | 17 |
| IP Rating | 68 |
| Min Temperature Rating °C | -40 |
| Max Temperature Rating °C | 125 |
| Temperature "T" Rating | T125 |
| Body Material | PA66 / TPE |
| Fixing System | Cable |
| Terminal Type | Screw - end barrier contact |

INDUSTRY ACCREDITATIONS

