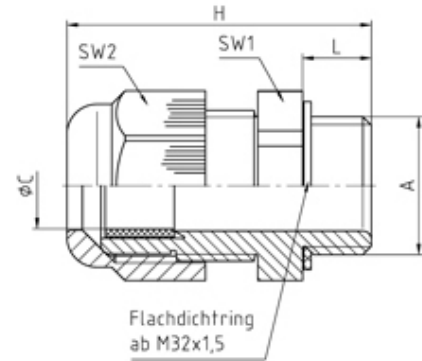


## 50.640 PA7001L

Perfect cable gland PA7001 long thread M40X1,5 thread length 18, min/max cable dia 19-28 Body - Polyamide PA6 V-2



### SPECIFICATION

Product Type	Standard
Sealing Ring Material	Polychloroprene-Nitrile rubber CR/NBR
Body Material	Polyamide
Min Temperature °C	-20
Max Temperature °C	100
IP Rating	68
Colour	Dark Grey - RAL 7001
Thread Size	M40
Clamping Range Min (mm)	19
Clamping Range Max (mm)	28
External Connecting Thread Type	Metric
Thread Length (mm)	18
Comments	details about tests - see annex
Width Across Flat 1 (mm)	46
Width Across Flat 2 (mm)	46
Height (mm)	59
Connecting Thread Size	M40x1.5
Additional Material Detail	Body - Polyamide PA6 V-2
Standards	EN50262/UL514B