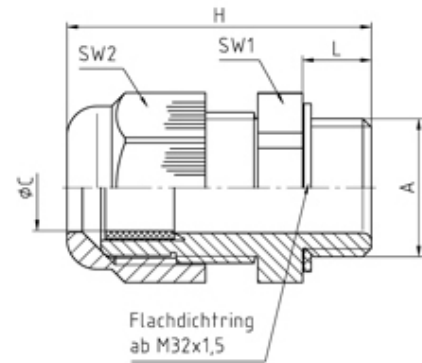


50.650 PA/SW

Perfect cable gland PA/SW M50X1,5 thread length 12, min/max cable dia 27-35 Body - Polyamide PA6 V-2



SPECIFICATION

| | |
|---------------------------------|---------------------------------------|
| Product Type | Standard |
| Sealing Ring Material | Polychloroprene-Nitrile rubber CR/NBR |
| Body Material | Polyamide |
| Min Temperature °C | -20 |
| Max Temperature °C | 100 |
| IP Rating | 68 |
| Colour | Black - RAL 9005 |
| Thread Size | M50 |
| Clamping Range Min (mm) | 27 |
| Clamping Range Max (mm) | 35 |
| External Connecting Thread Type | Metric |
| Thread Length (mm) | 12 |
| Comments | details about tests - see annex |
| Width Across Flat 1 (mm) | 55 |
| Width Across Flat 2 (mm) | 55 |
| Height (mm) | 61.5 |
| Connecting Thread Size | M50x1.5 |
| Additional Material Detail | Body - Polyamide PA6 V-2 |
| Standards | EN50262/UL514B |