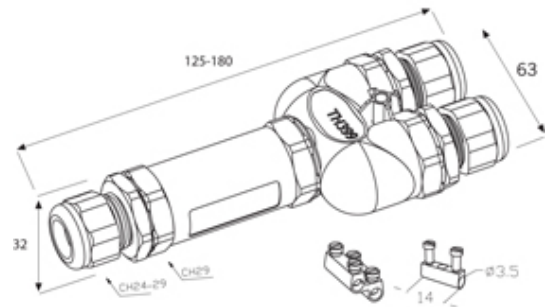


THB.399.B2A.Z

TeeTube 2 Pole Screw - end barrier contact 8mm to 17mm on one gland 7mm to 13.5mm on the other 2 glands, 4 mm max conductor size IP68 32A 250V 3 cable entries, assembled



Product Image
Not Available



SPECIFICATION

Cable Entries	3
Number of Poles	2
Terminal Type	Screw - end barrier contact
Body Material	PA66 / TPE
IP Rating	68
Max Conductor Size (Sq mm)	4
Max Current (A)	32
Max Voltage (V)	250
Minimum Temp Rating °C	-40
Maximum Temp Rating °C	125
Minimum Cable Diameter (mm)	7
Maximum Cable Diameter (mm)	17
Fixing System	Cable
Temperature "T" Rating	T85