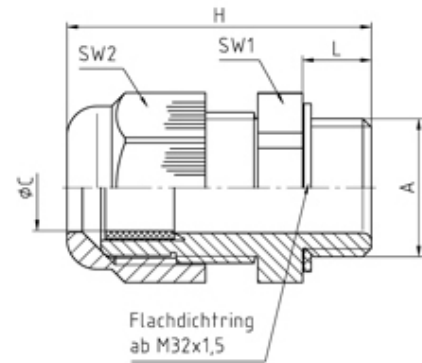


50.650 PA7035

Perfect cable gland PA7035 M50X1,5 thread length 12, min/max cable dia 27-35 Body - Polyamide PA6 V-2



SPECIFICATION

Product Type	Standard
Sealing Ring Material	Polychloroprene-Nitrile rubber CR/NBR
Body Material	Polyamide
Min Temperature °C	-20
Max Temperature °C	100
IP Rating	68
Colour	Light Grey - RAL 7035
Thread Size	M50
Clamping Range Min (mm)	27
Clamping Range Max (mm)	35
External Connecting Thread Type	Metric
Thread Length (mm)	12
Comments	details about tests - see annex
Width Across Flat 1 (mm)	55
Width Across Flat 2 (mm)	55
Height (mm)	61.5
Connecting Thread Size	M50x1.5
Additional Material Detail	Body - Polyamide PA6 V-2
Standards	EN50262/UL514B