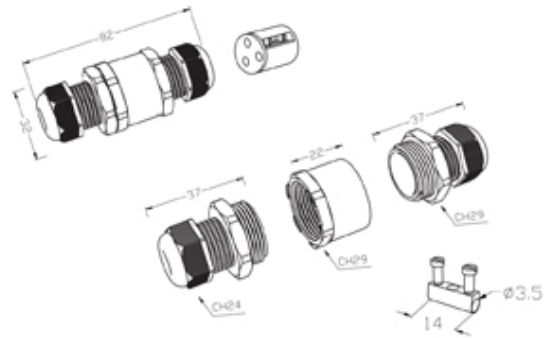


# TeeTube

## Range: Weatherproof/Waterproof Connectors

Order Code: THB.390.E2A.3



### DESCRIPTION

TeeTube with innovative cable glands, 2 Pole Screw - end barrier contact 14mm to 17mm on one gland 7mm to 13.5mm on the other gland, 4 mm max conductor size IP68 32A 450V 2 cable entries

### WEATHERPROOF/WATERPROOF CONNECTORS FEATURES

- Tough, robust construction with large cable range acceptance
- Straight through, T splitter and Y splitter versions available
- Dual terminal versions available for easy fitting and looping of conductors (2+2 and 3+3 poles)
- Temperature rating of -40°C to +125°C

*Features may vary by product throughout the range.*

*Subject to technical modification without notice.*

*Typographical and other errors do not justify claim for damages.*

## SPECIFICATION

|                             |                             |
|-----------------------------|-----------------------------|
| Cable Entries               | 2                           |
| Max Current (A)             | 32                          |
| Max Voltage (V)             | 450                         |
| Number of Poles             | 2                           |
| Max Conductor Size (Sq mm)  | 4                           |
| Minimum Cable Diameter (mm) | 14                          |
| Maximum Cable Diameter (mm) | 17                          |
| IP Rating                   | 68                          |
| Min Temperature Rating °C   | -40                         |
| Max Temperature Rating °C   | 125                         |
| Temperature "T" Rating      | T125                        |
| Body Material               | PA66 / TPE                  |
| Fixing System               | Cable                       |
| Terminal Type               | Screw - end barrier contact |

## INDUSTRY ACCREDITATIONS

