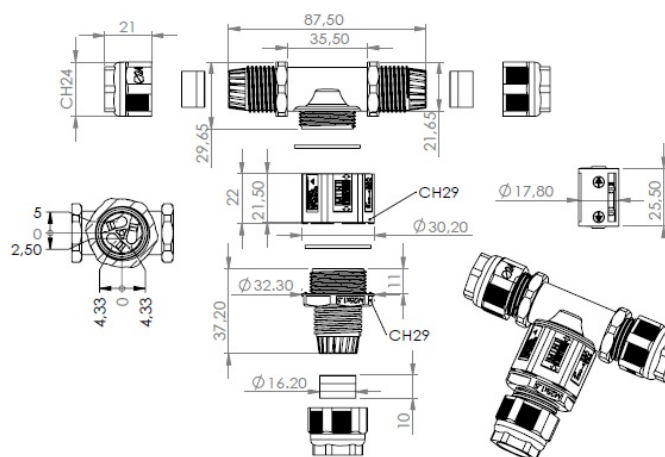


TeeTube

Range: Weatherproof/Waterproof Connectors

Order Code: CWP-TTZ-BCS-003 (THB.390.C1A)



DESCRIPTION

TeeTube Mini 3 Pole Screw - end barrier contact 7mm to 13.5mm, 4 mm max conductor size IP68 32A 450V 3 cable entries

WEATHERPROOF/WATERPROOF CONNECTORS FEATURES

- Tough, robust construction with large cable range acceptance
- Straight through, T splitter and Y splitter versions available
- Dual terminal versions available for easy fitting and looping of conductors (2+2 and 3+3 poles)
- Temperature rating of -40°C to +125°C

Features may vary by product throughout the range.

Subject to technical modification without notice.

Typographical and other errors do not justify claim for damages.

SPECIFICATION

Type of Installation	Joint connector (re-usable/re-accessible)
Type	Junction connector
Colour	Black (Plastic components) - Green (Rubber components)
Overall Dimensions (mm)	32.0 x 97.0 x 77.0
Cable Entries	3
Circuit Wiring Diagram	Power/Signal
Max Current (A)	32
Max Voltage (V)	450
Number of Poles	3
Marking	L-N-E
Termination	M3 - max. 0.8 Nm
Multi-Stranded Conductor Cross-Section Without Ferrule MIN (mm ²)	0.5
Multi-Stranded Conductor Cross-Section Without Ferrule MAX (mm ²)	1.5
Min Conductor Size (Sq mm)	0.5
Max Conductor Size (Sq mm)	1.5
Cable Sheath Stripping Length (mm)	8
Minimum Cable Diameter (mm)	7
Maximum Cable Diameter (mm)	13.5
Tightening Torque of Cable Gland-Connector	2.5 Nm
Tightening Torque of Nut-Cable Gland	2.5 Nm
IP Rating	68
IK rating	IK07
Salt Mist	Salt mist test : EN60068-2-11:2000
Min Temperature Rating °C	-40
Max Temperature Rating °C	125
Temperature "T" Rating	T125
Proof Tracking Index (PTI)	PTI 250
Body Material	PA66 GF UL94 V0
Connector Material	PA66 GF UL94 V0
Cable Gland Material	PA66 UL94 V2
O-Ring Material	Silicone
Gasket Material	TPE
Material Property	Halogen Free
Terminal Material	Brass
Terminal Screw Material	Steel

INDUSTRY ACCREDITATIONS

