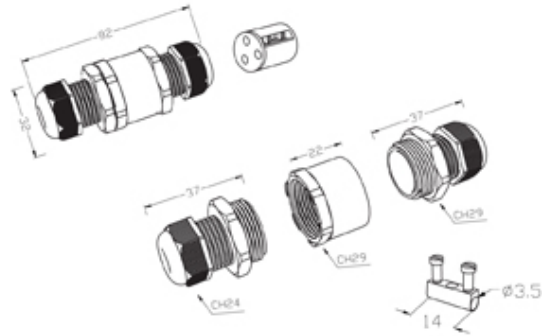


THB.390.B1A.Z

TeeTube Mini "Elbow shape" 3 Pole Screw - end barrier contact 7mm to 13.5mm, 4 mm max conductor size IP68 32A 450V 2 cable entries, assembled



SPECIFICATION

Type	Joint connector (re-usable/re-accessible)
Cable Entries	2
Number of Poles	3
Terminal Type	Screw (M3 - max. 0.5 Nm)
Corrosion Resistance	Salt mist, 1.000 ore, 5% salt solutions, 35°C EN60068-2-11:2000, Test Ka (168h)
Body Material	PA66 GF UL94 V0 GWT 960°C
Colour	Black
IP Rating	68
Min Conductor Size (Sq mm)	0.5
Max Conductor Size (Sq mm)	4
Max Current (A)	32
Max Voltage (V)	450
Minimum Temp Rating °C	-40
Maximum Temp Rating °C	125
Minimum Cable Diameter (mm)	7
Maximum Cable Diameter (mm)	13.5
Depth (mm)	61
Fixing System	Cable
Length (mm)	73
Temperature "T" Rating	T85
Width (mm)	32