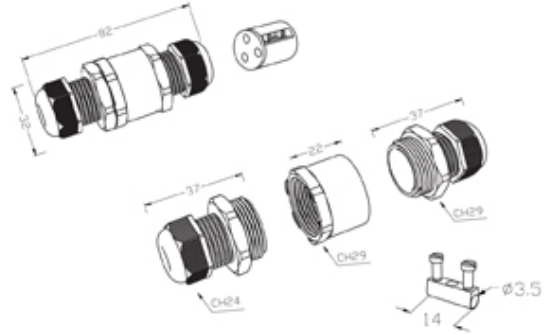


THB.390.A3A.Z

TeeTube Mini 3 Pole Screw - wp 7mm to 13.5mm, 2.5 mm max conductor size IP68 24A 450V 2 cable entries, assembled


SPECIFICATION

Type	Joint connector (re-usable/re-accessible)
Cable Entries	2
Number of Poles	3
Terminal Type	Screw with push-wire clamp (M3 - max. 0.5 Nm)
Corrosion Resistance	Salt mist, 1.000 ore, 5% salt solutions, 35°C EN60068-2-11:2000, Test Ka (168h)
Body Material	PA66 GF UL94 V0 GWT 960°C
Colour	Black
IP Rating	68
Min Conductor Size (Sq mm)	0.25
Max Conductor Size (Sq mm)	2.5
Max Current (A)	24
Max Voltage (V)	450
Minimum Temp Rating °C	-40
Maximum Temp Rating °C	125
Minimum Cable Diameter (mm)	7
Maximum Cable Diameter (mm)	13.5
Fixing System	Cable
Length (mm)	82
Temperature "T" Rating	T85
Width (mm)	32