

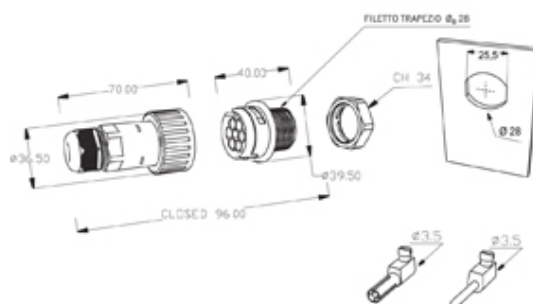
TeePlug & Sockets

Range: Weatherproof/Waterproof Connectors

Order Code: THR.406.S3B



Product Image
Not Available



DESCRIPTION

TeePlug Panel-mount 3 pole Screw terminal 7mm to 14mm cable diameter, 4 mm max conductor size IP68 25A 400V 1 cable entry, retail pack

WEATHERPROOF/WATERPROOF CONNECTORS FEATURES

- Up to IP68 versions available
- Various configurations available
- Components are keyway coded to ensure correct assembly
- All products are quick and simple to install
- Bulkhead/chassis mount options available (depending on product type)
- Temperature range of -20°C to +125°C

Features may vary by product throughout the range.

Subject to technical modification without notice.

Typographical and other errors do not justify claim for damages.

MAKING THE **RIGHT** CONNECTIONS



SPECIFICATION

| | |
|-----------------------------|-------------|
| Type | Plug |
| Cable Entries | 1 |
| Max Current (A) | 25 |
| Max Voltage (V) | 400 |
| Number of Poles | 3 |
| Max Conductor Size (Sq mm) | 4 |
| Minimum Cable Diameter (mm) | 7 |
| Maximum Cable Diameter (mm) | 14 |
| IP Rating | 68 |
| Min Temperature Rating °C | -40 |
| Max Temperature Rating °C | 125 |
| Temperature "T" Rating | T125 |
| Body Material | PA66 |
| Fixing System | Panel mount |
| Terminal Type | Screw |

INDUSTRY ACCREDITATIONS

