

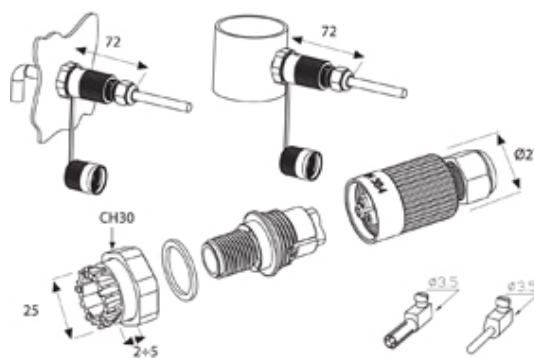
# TeePlug & Sockets

## Range: Weatherproof/Waterproof Connectors

Part Number: THR.386.S3A



Product Image  
Not Available



### DESCRIPTION

TeePlug 3 pole Screw terminal 7mm to 12mm cable diameter, 4 mm max conductor size IP67 17A 400V 1 cable entry, retail pack

### WEATHERPROOF/WATERPROOF CONNECTORS FEATURES

- Up to IP68 versions available
- Various configurations available
- Components are keyway coded to ensure correct assembly
- All products are quick and simple to install
- Bulkhead/chassis mount options available (depending on product type)
- Temperature range of -20°C to +125°C

*Features may vary by product throughout the range.*

*Subject to technical modification without notice.*

*Typographical and other errors do not justify claim for damages.*

## SPECIFICATION

|                             |                          |
|-----------------------------|--------------------------|
| Type                        | Plug                     |
| Cable Entries               | 1                        |
| Max Current (A)             | 17                       |
| Max Voltage (V)             | 400                      |
| Number of Poles             | 3                        |
| Max Conductor Size (Sq mm)  | 4                        |
| Minimum Cable Diameter (mm) | 7                        |
| Maximum Cable Diameter (mm) | 12                       |
| IP Rating                   | 67                       |
| Min Temperature Rating °C   | -40                      |
| Max Temperature Rating °C   | 125                      |
| Temperature "T" Rating      | T85                      |
| Body Material               | PA66                     |
| Fixing System               | Self locking panel mount |
| Terminal Type               | Screw                    |

## INDUSTRY ACCREDITATIONS

