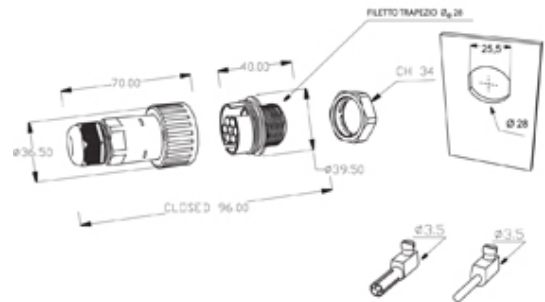


THF.409.A1E

TeePlug Panel-mount 6 pole Crimp terminal 7mm to 14mm cable diameter, 1.5 mm max conductor size IP68 16A 400V 1 cable entry



SPECIFICATION

Type	Plug
Cable Entries	1
Number of Poles	6
Terminal Type	Crimp
Body Material	PA66
IP Rating	68
Min Conductor Size (Sq mm)	0.5
Max Conductor Size (Sq mm)	1.5
Max Current (A)	16
Max Voltage (V)	400
Min Temperature Rating °C	-40
Max Temperature Rating °C	125
Minimum Cable Diameter (mm)	7
Maximum Cable Diameter (mm)	14
Fixing System	Panel mount
Temperature "T" Rating	T125