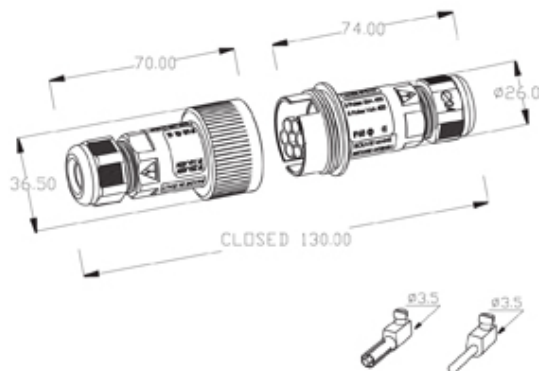


THF.408.B2E.Z

TeePlug with metal collar, 6 pole Crimp terminal 7mm to 14mm cable diameter, 1.5 mm max conductor size IP68 17.5A 400V 1 cable entry, assembled



SPECIFICATION

Type	Plug
Cable Entries	1
Number of Poles	6
Terminal Type	Crimp
Body Material	PA66
IP Rating	68
Min Conductor Size (Sq mm)	0.5
Max Conductor Size (Sq mm)	1.5
Max Current (A)	17.5
Max Voltage (V)	400
Min Temperature Rating °C	-40
Max Temperature Rating °C	125
Minimum Cable Diameter (mm)	7
Maximum Cable Diameter (mm)	14
Fixing System	Cable
Temperature "T" Rating	T125