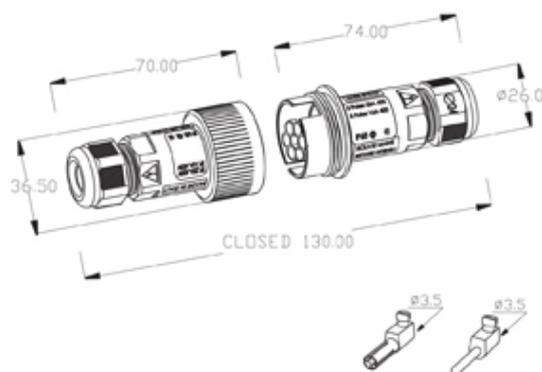


# TeePlug & Sockets

## Range: Weatherproof/Waterproof Connectors

Order Code: CWP-PGP-AA-C030 (THF.408.A2B)



### DESCRIPTION

TeePlug to be used with THB.408, 3 pole Crimp terminal 7mm to 14mm cable diameter, 1.5 mm max conductor size IP68 17.5A 400V 1 cable entry

### WEATHERPROOF/WATERPROOF CONNECTORS FEATURES

- Up to IP68 versions available
- Various configurations available
- Components are keyway coded to ensure correct assembly
- All products are quick and simple to install
- Bulkhead/chassis mount options available (depending on product type)
- Temperature range of -20°C to +125°C

*Features may vary by product throughout the range.*

*Subject to technical modification without notice.*

*Typographical and other errors do not justify claim for damages.*

## SPECIFICATION

Type	Plug
Cable Entries	1
Max Current (A)	17.5
Max Voltage (V)	400
Number of Poles	3
Min Conductor Size (Sq mm)	0.5
Max Conductor Size (Sq mm)	1.5
Minimum Cable Diameter (mm)	7
Maximum Cable Diameter (mm)	14
IP Rating	68
Min Temperature Rating °C	-40
Max Temperature Rating °C	125
Temperature "T" Rating	T125
Body Material	PA66
Fixing System	Cable
Terminal Type	Crimp

## INDUSTRY ACCREDITATIONS

